

Technical data sheet

Product features



Cooking range solid top gas with electric static oven

Model

SAP Code

00020646



- Device type: Combined unit
- Power consumption of the zone 1 [kW]: 8,5
- Power consumption of the zone 2 [kW]: 6,6
- Power consumption of the zone 3 [kW]: 4
- Ignition: Piezo + Eternal Flame
- Type of internal part of the appliance 1 (eg oven): Electric
- Type of internal part of the appliance 2 (eg oven): Static
- Material: AISI 304 top plate and cladding

SAP Code	00020646	Type of gas	Natural gas, propane butane
Net Width [mm]	800	Number of zones	3
Net Depth [mm]	730	Power consumption of the zone 1 [kW]	8,5
Net Height [mm]	900	Power consumption of the zone 2 [kW]	6,6
Net Weight [kg]	122.60	Power consumption of the zone 3 [kW]	4
Power electric [kW]	6.300	Type of internal part of the appliance 1 (eg oven)	Electric
Loading	400 V / 3N - 50 Hz	Type of internal part of the appliance 2 (eg oven)	Static
Power gas [kW]	19.100	Ceramic glass dimensions [mm x mm]	370 x 545

Technical data sheet

Technical drawing

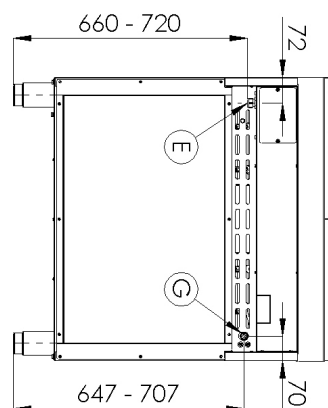
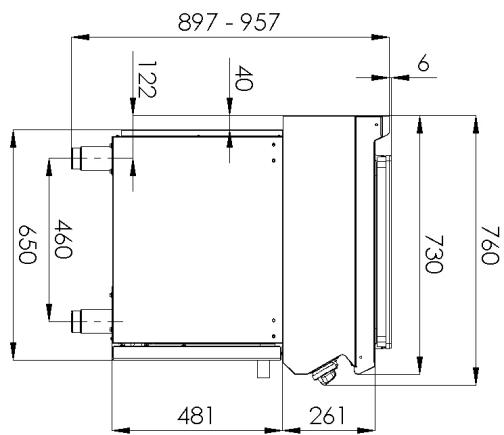
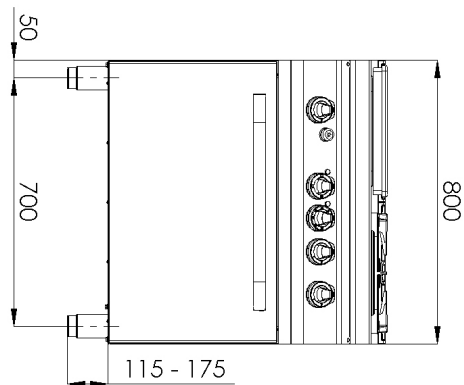


Cooking range solid top gas with electric static oven

Model

SAP Code

00020646



Technical data sheet

Technical parameters



Cooking range solid top gas with electric static oven

Model

SAP Code

00020646

1. SAP Code:

00020646

2. Net Width [mm]:

800

3. Net Depth [mm]:

730

4. Net Height [mm]:

900

5. Net Weight [kg]:

122.60

6. Gross Width [mm]:

840

7. Gross depth [mm]:

800

8. Gross Height [mm]:

1080

9. Gross Weight [kg]:

132.50

10. Device type:

Combined unit

11. Construction type of device:

Stationary

12. Power electric [kW]:

6.300

13. Loading:

400 V / 3N - 50 Hz

14. Power gas [kW]:

19.100

15. Ignition:

Piezo + Eternal Flame

16. Type of gas:

Natural gas, propane butane

17. Exterior color of the device:

Stainless steel

18. Material:

AISI 304 top plate and cladding

19. Worktop type:

Molded - comfortable cleaning maintenance

20. Worktop material:

AISI 304

21. Worktop Thickness [mm]:

1.50

22. Number of zones:

3

23. Power consumption of the zone 1 [kW]:

8,5

24. Power consumption of the zone 2 [kW]:

6,6

25. Power consumption of the zone 3 [kW]:

4

26. Grid material:

Cast iron

27. Service accessibility:

Trough the frontal panel

28. Safety thermocouple:

Yes

Technical data sheet

Technical parameters



Cooking range solid top gas with electric static oven

Model

SAP Code

00020646

29. Adjustable feet:

Yes

30. Number of burners/hot plates:

3

31. Type of gas cooking zones:

Fire protection to install + Classic burners

32. Burner type:

Brass, detachable

33. Oven Type:

electrical static

34. Oven power electric [kW]:

6.30

35. Oven size:

GN 2/1

36. Type of internal part of the appliance 1 (eg oven):

Electric

37. Type of internal part of the appliance 2 (eg oven):

Static

38. Gasket:

Yes

39. Solid top thickness [mm]:

30

40. Ceramic glass dimensions [mm x mm]:

370 x 545

41. Solid top ignition:

Piezo + Eternal Flame

42. Connection to a ball valve:

1/2

43. Cross-section of conductors CU [mm²]:

1

– Výkon (kW): 3,7-5 (230 V); 6,4-8,7 (400 V)